

Super Slim Ceiling Mounted Air Handling Unit LFPS Series LFPS135

Model Number Configuration

LFPS135-4+1: 4 + 1 Row Super Slim Ceiling Mounted

LFPS135-6+1: 6 + 1 Row Super Slim Ceiling Mounted

PERFORMANCE DATA

RETURN AIR

Model	Air Flow l/s	4 Rows Cooling				1 Row Heating			External Excess Pressure			Motor Power			Weight kg
		Total	Sensible	Water Flow	Water Resistance	Rated Heating	Water Flow	Water Resistance	I	II	III	I	II	III	
		kW	kW	l/s	kPa	kW	l/s	kPa	Pa	Pa	Pa	kW	kW	kW	
LFPS135-4+1	3750	78.3	55.4	3.7	33.3	46.5	1.1	15.9	200	300	370	3	4	4	419.7
LFPS135-6+1	3750	99.6	67.1	4.8	34.7	46.5	1.1	15.9	200	300	370	4	4	5.5	449.7

Notes for Return Air:

1. Cooling: The water in/out temp. is 7°C/12°C; the air in temp. is 27°C DB / 19.5°C WB
2. Heating: The water in temp. is 80°C / 50°C; the air in temp. is 21°C DB..
3. The motor power offered is the motor output power.
4. The above performance is for reference only. Different air and water conditions would lead to different cooling capacity.

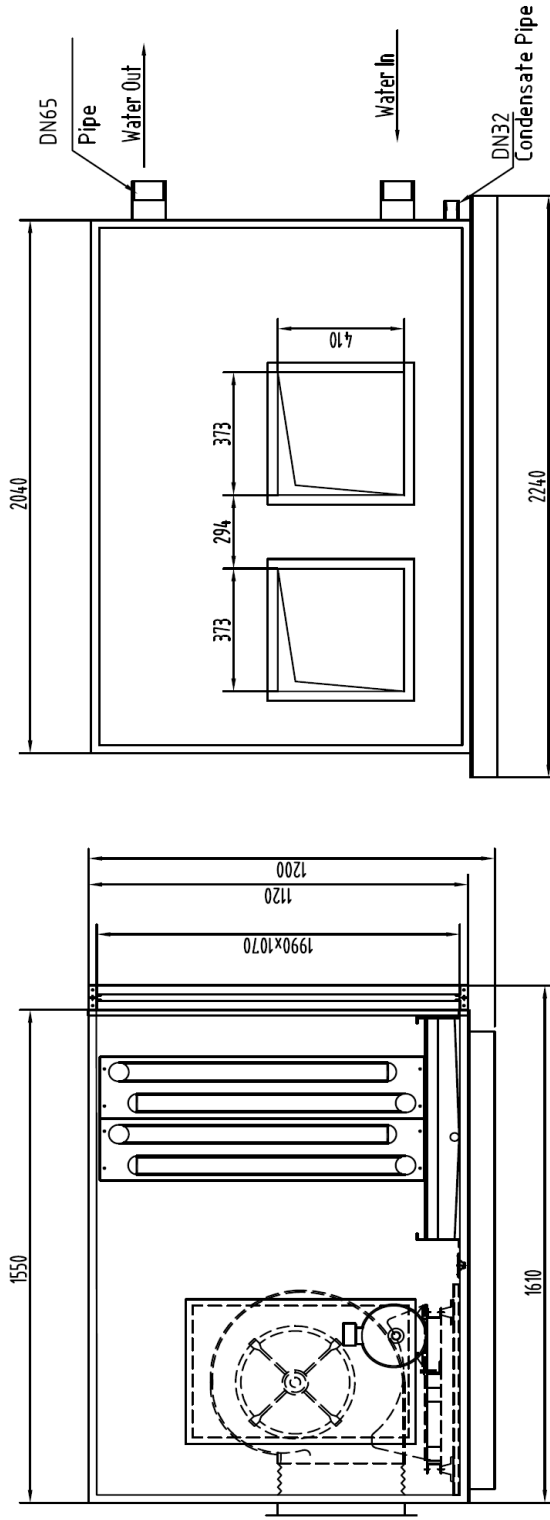
SPECIFICATION

- **Coil:**
LFPS010W-LFPS 120W : ϕ 9.52mm, copper tube, aluminium fins
LFPS135W-LFPS 300W: ϕ 12.7mm, copper tube, aluminium fins
- **Fan and motor:**
LFPS 010W-LFPS025W: direct driven, forward curved centrifugal fan|
LFPS 030W-LFPS 300W: belt driven, forward curved centrifugal fan
- **Filter: 15mm panel filter**
- **Cabinet: 25mm thick double skinned panel**
- **Drip-tray: powder painting steel sheet**

LFPS Series Super Slim Ceiling Mounted

LFPS135

Diagrams of: LFPS 135A

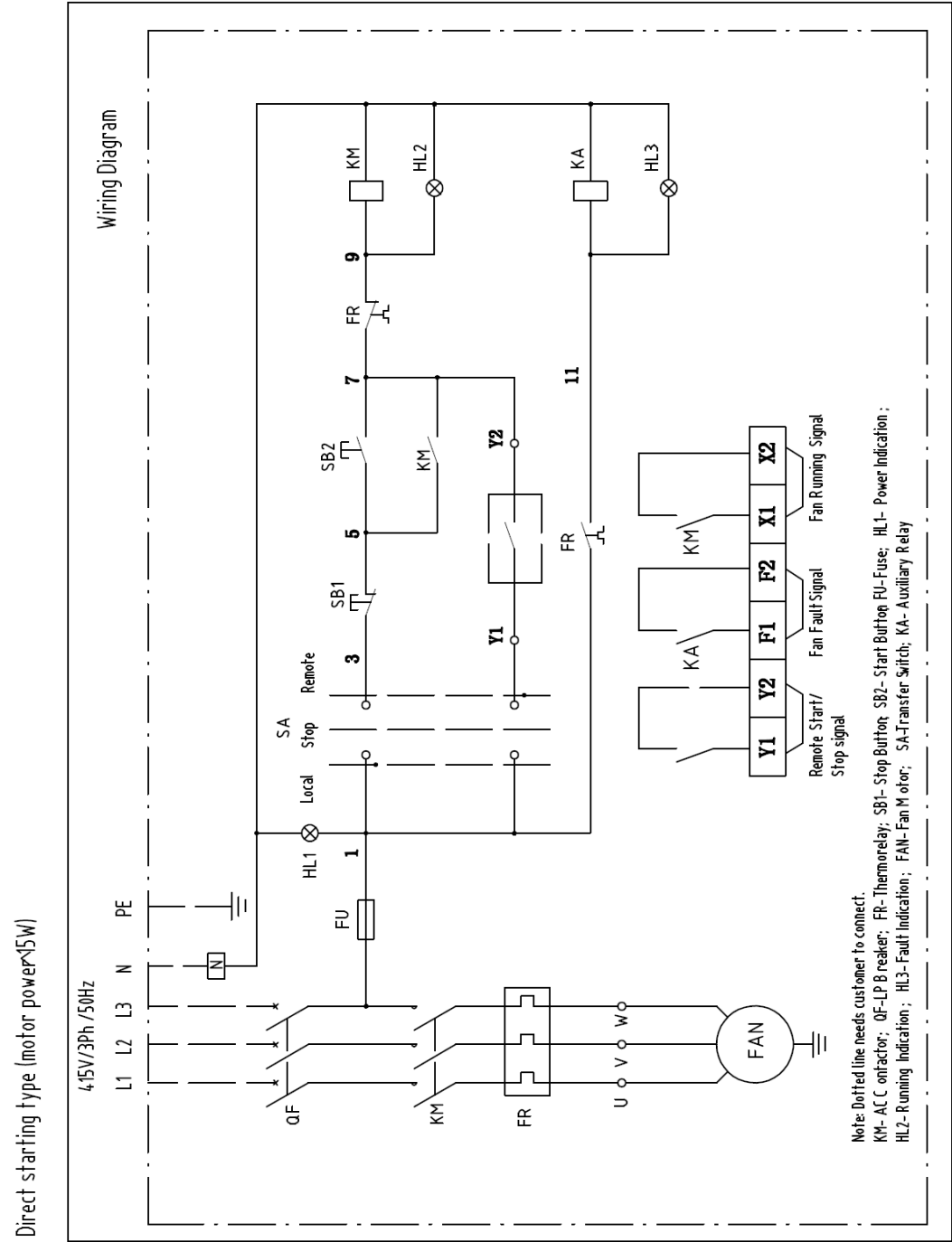


Note: The unit shown is of left hand type.

Air Flow l/s.	3750			
External Overbottom Pressure Pa	200		300	
Coil Rows: Cooling+Heating	4+1	6+1	4+1	6+1
Fan Model (Drive Type)	KDFTS15-11K(Belt Drive)			
Fan Speed r/min	775	811	860	891
Motor Pulley	SPA100-2	SPB112-2	SPB112-2	SPB125-2
Fan pulley	SPA180-2	SPB200-2	SPB180-2	SPB170-2
Belt Model/Quantity	SPA1232/2	SPB1250/2	SPB1250/2	SPB1250/2
Motor Power-Pole	3KW-4	4KW-4	4KW-4	4KW-4
A FLA	6.2A	8.1A	8.1A	8.1A
Voltage	415V/3Ph/50HZ			
Coil Diameter mm/Fins: length×width mm	ø12.7/1760×889			
Filter: Length×width×Thickness mm/quantity	498×529×15/8			

DRAWN BY: GUO JINGPENG	DATE: 23/04/2010	
APPROVED O.A.: WU MEIJUN	APPROVED ENG: ZHANG JINGFEI	TITLE: Water Cooled Fan Coil Unit
MODEL: LFPS 135A	DRAG. NO.: 01	LFPS TYPE
	ISSUE: 01	SHEET SIZE: A4

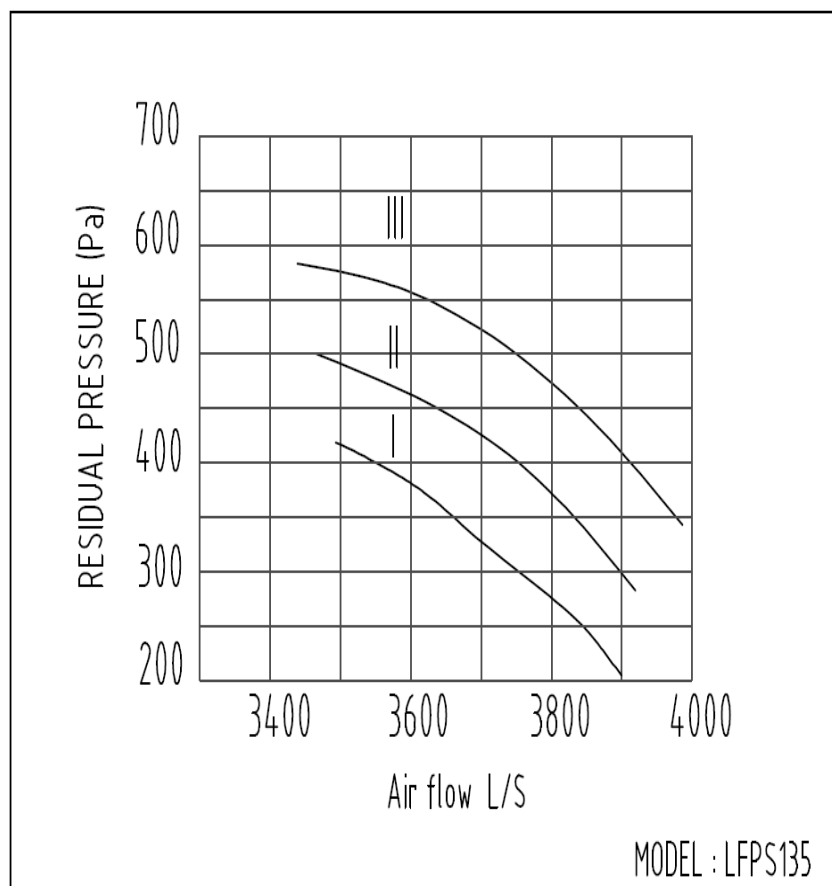
LFPS Series Super Slim Ceiling Mounted LFPS135



DRAWN BY: GUO JINGPENG	DATE: 10/11/2009	
APPROVED D.A.: WU MEIJUN	APPROVED ENG.: ZHANG JINGFEI	
MODEL: LFPS010-270		TITLE:Water Cooled Fan Coil Unit LFPS TYPE
DRAWING NO.: 01		ISSUE: 01
SHEET SIZE: A4		

Super Slim Ceiling Mounted *Air Handling Unit* LFPS135

FAN CURVE



DRAWN BY: GUO JINGPENG	DATE: 13/11/2009		
APPROVED O.A.: WU MEIJUN	APPROVED ENG.: ZHANG JINGFEI	TITLE: Water Cooled Fan Coil Unit LFPS TYPE	
MODEL: LFPS135	DRAWING NO.: 01	ISSUE: 01	SHEET SIZE: A4

Super Slim Ceiling Mounted *Air Handling Unit* LFPS135

NOISE CURVE

